

LGP

A39

LED GARDEN/SIDE WALK LIGHTS

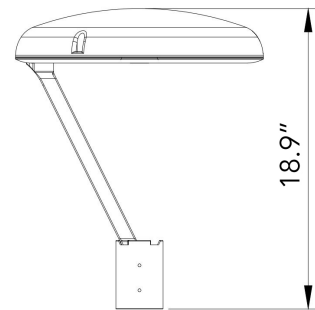


TECHNICAL SPECIFICATIONS:

- :: ADC12 Aluminum heat sink, outdoor powder coated
- :: Optical Lens: High transmittance PC, Anti-UV & Fire resistant
- :: Cord type: 4' SJTW 18/3 AWG cable
- :: LED: Philips Lumileds LEDs
- :: Voltage: 100~277V AC, 50/60Hz
- :: Optional photocell (add "-P")
- :: CRI: >70
- :: Beam Angle: 90°
- :: Power Factor: 95%
- :: Operating Temp: -40°F to 104°F
- :: 70,000 hour rated life
- :: 7-year warranty
- :: Suitable for Wet Locations, IP65

APPLICATIONS:

- :: Ideal for general site lighting, alleys, loading docks, doorway, pathway and parking areas.
- :: Great for use with photocell



LED GARDEN/SIDE WALK LIGHTS

CATALOG NO.	WATTS	LUMENS	COLOR TEMP	REPLACEMENT RANGE	DIMENSIONS
LGP-42W-50K	42W	5000LM	5000K	50~70 MH	15-3/4"(H) x 3-1/2"(D)
LGP-42W-40K	42W	5000LM	4000K	50~70 MH	
LGP-42W-30K	42W	5000LM	3000K	70~100 MH	
LGP-100W-50K	100W	12000LM	5000K	70~100 MH	
LGP-100W-40K	100W	12000LM	4000K	100~175 MH	
LGP-100W-30K	100W	12000LM	3000K	100~175 MH	
LGP-EXTARM	Optional Straight Arm for Wall/Post Mounting - Not Included				
LGP-A2	Auxiliary Second Arm - Not Included				